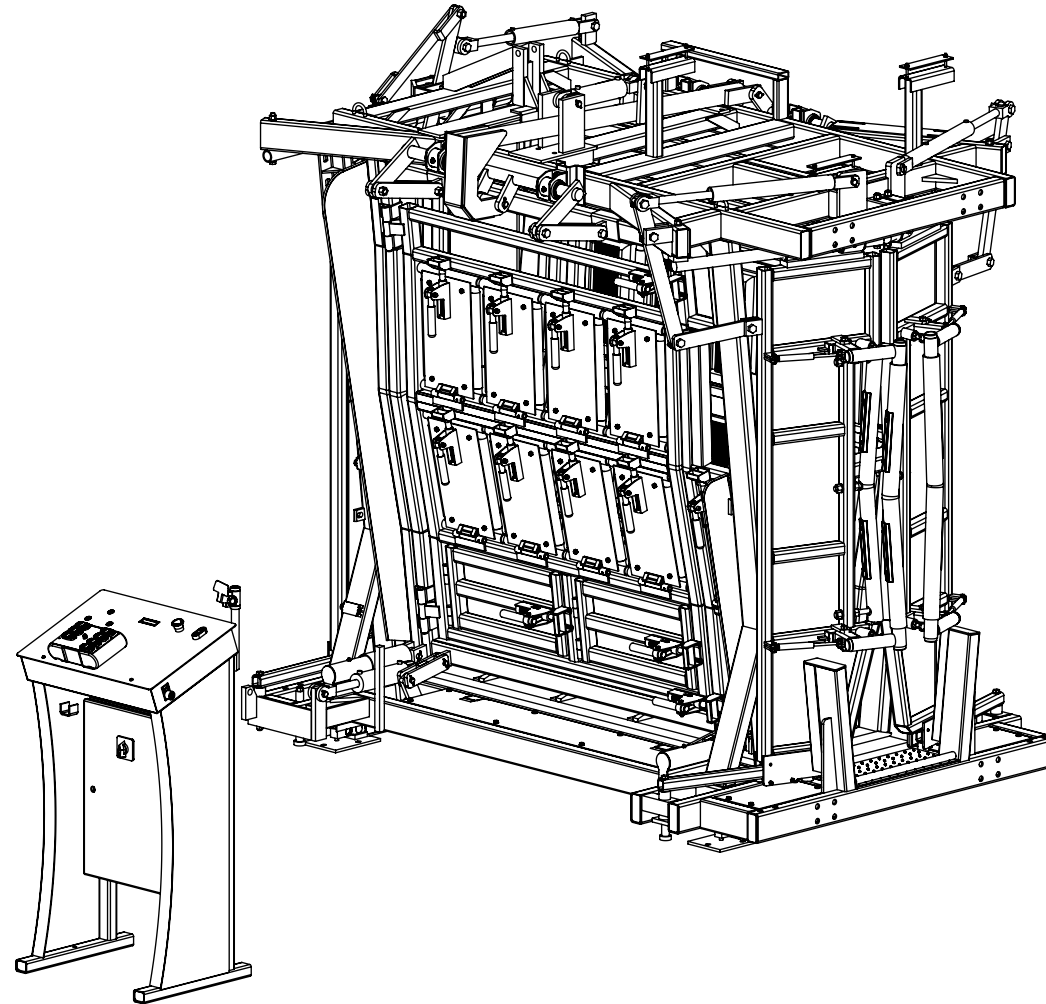


MANUAL DE INSTALAÇÃO

SUJEITO À ALTERAÇÕES TÉCNICAS SEM PRÉVIO AVISO



Qualidade que pesa pouco!



A cXYc. A Y[Ufcb 7c]a a U

7cX"A Ubi U: '\$%) *!\$\$(\$

7CAvF7=C'9'=B8i GHF =5'89'A 589=F 5G'9'A 9H5@ F; =75'GÇC'7F =GHéJ ÇC '@H85"
k k k "Vt]a a U"Vt a "Vf' #' 'Y! a U]. 'Vt]a a U4 Vt]a a U"Vt a "Vf'
9bX" J]U' A Uf[]bU' >cgf' 8Ubg]Yf]z' * \$) !8]ghf]hc' =bXi ghf]U' ! '79D. '%+ - \$\$! \$\$\$ ' !8fUWbU' # GD
D56L. '% !' , &%d - - \$ \$ '#': 5L '% !' , &%d - - %%' !''7I "'DcghU' '%\$' %'

'A Ubi U' &\$%+

MANUAL DE INSTALAÇÃO

SUJEITO À ALTERAÇÕES TÉCNICAS SEM PRÉVIO AVISO



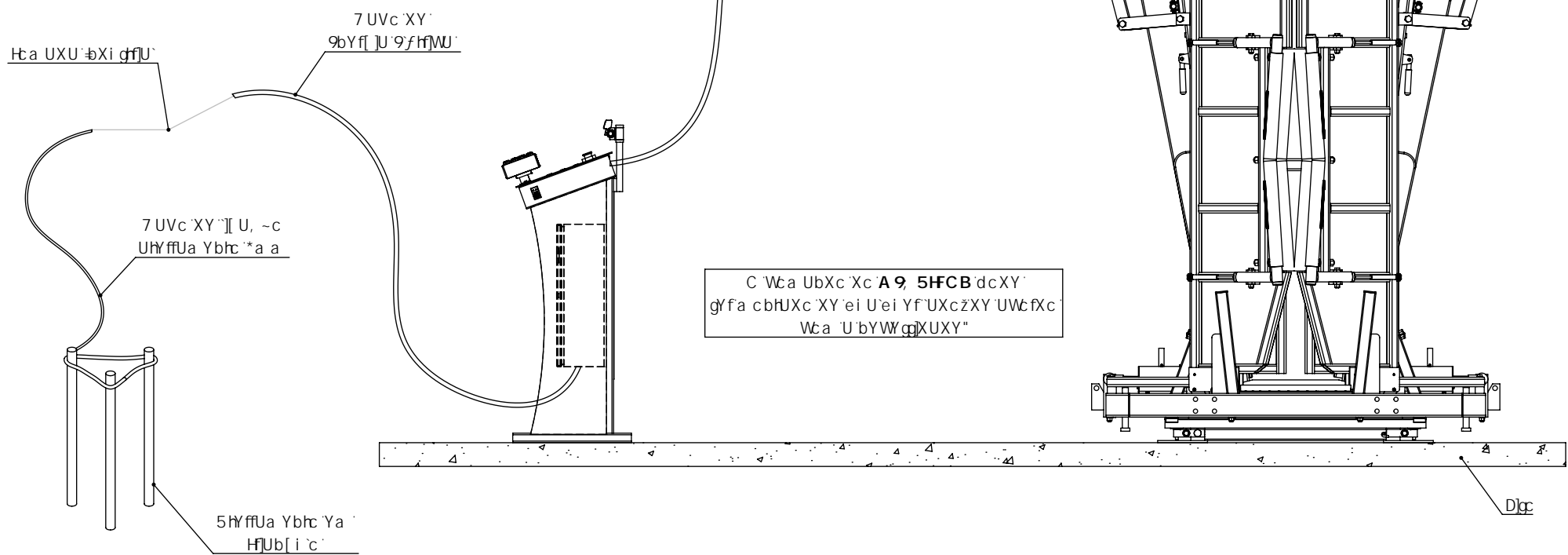
Qualidade que pensa a frente!

.....9gei Ya UXY@[U, " Yg
-bgU, -c Y'9gei Ya UXY@[U, " Yg9fHfM'

8YHU\YgHfWb]M'g

- i H'a UXU'hjdc' bXi gfr]U'
- i l gUf8]g† brcf&\$5
- i l gUfWUvc'XY'@[U, -c'Xc'UHffUa Ybrc
- XY'bc'a]b]a c' *a a "
- i :UnYfUHffUa Ybrc Ya 'H]Ub[i 'c' Wca
- \Ugh'XY') #, "I' &ž(\$a "
- i A U\U'XY'7 UVc' B• '%a a
- i 5]bgU'U, -c'Y'Yhf]WU'XY' hca UXU'Y'X]g† brcf
- 'bc'W ffU'žg-c'XY'fYgdcbg]U']XUXY'Xc'W]YbhY"
- i bX]WUfU'YbYf[]U' hYbg-c'Xc'cWU'XY']bgU'U, -c
- dUfU'7c]a a U"

C Vg'9gh' WUvc'dcXY'g'fZ] UXc'dcfW]a U'ci'
a Yga'c'dY'c'd]gczWc'bz'fa Y'U'byWw]XUXY'Xc'W]YbhY"



6UgY Xc A Y[UHfcb
A cxi c 7 YbfU

8YU\YgJfWb]Mcg

i 5'h fU'HcHU'Xc'HcbWc" z\$Sa
i C'hfWb]Mc'XU'7c]a a U'Zlfz']bgtU'U, -c'Xc'
Yei]dUa Ybhc'i h]hUbXc'Wl a VUXcfYg'
i 5'6UgY'XYj Y'YgtU'frcHU'a YbhY' b] Y'UXU"
i 5'FUa dU'dcXY'gYfZY]HU'XY'UWcXc'Wca'
U'bYWgg]XUXY"E i UbXc'dcgg] Y'ZJnYfU'fUa dU'
UdCgU']bgtU'U, -c'Xc'Yei]dUa Ybhc"
i v'bYWgg]f]c'XY]U'f'dUggU[Ya']] fY'Wca'
'Uf[i fU'XY'z) 'a' Y'U'h fU'XY' z&\$'a "
i 5'Wc'bgfi, -c'XU'VUgY'z'fUa dUgY'U'hYfU, " Yg'
'bc'W'ffU'g-c'XY'fYgdc'bgU]V]XUXY'Xc'W]YbhY"

HU, c'Xc'7 cbWfYrc." :.%
C 6G'9a' WUgc'XY'gc'c']bgtz j Y'z'f'c'Vf[UHf]c'c'
i gc'XY'ia U'a U\U'XY'ZY'ffc'dcd' Ø%#(

